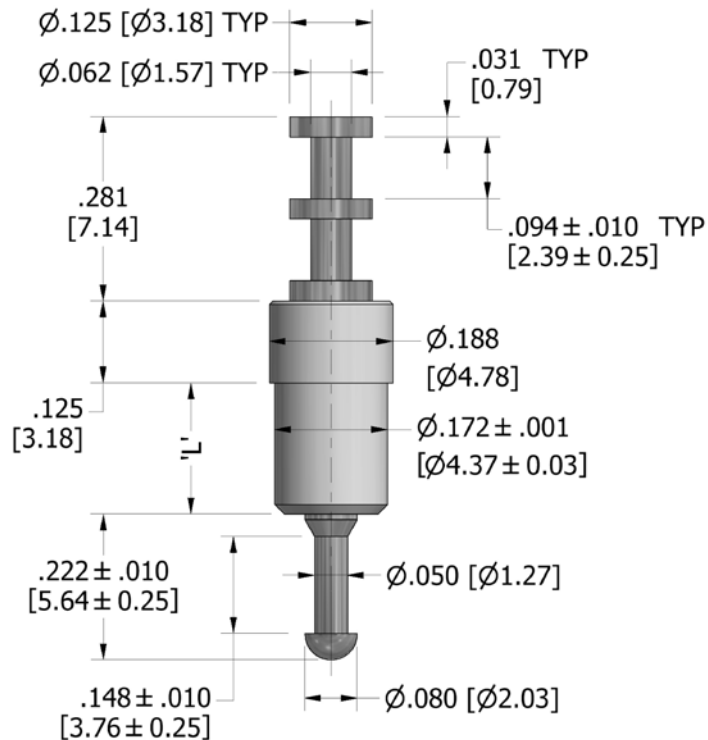


571-4250 Insulated Solder Terminal, Turreted, Feed Thru

Recommended mounting hole dia .158 (4.01)



How to order code
571-4250-01-YY-19

Basic Part No (XX = panel thickness, YY = plating finish. See tables for options)

Basic Part No.	OA (ref)	L	Panel Thickness (XX)
571-4250-01	0.828 (21.03)	.200 (5.08)	.031 (0.79) to .162 (4.11)

Component	Material	Finish (YY)	
		-01	-05
Terminal	Brass	Silver	Electro Solder
Insulator	PTFE - white		

Additional Specifications	
Flashover VRMS at Sea Level	5500
Capacitance (pF)	1.0

Dimensions in inches (mm)
 Tolerance unless otherwise stated ±.005 (0.13)