

## SMT Shielded Power Inductors - 1608 series

### Features

- Smallest possible size and high performance
- High energy storage and very low resistance

### Applications

- Step-up and step-down converters
- Memory programmers etc.
- Notebook computers

**Inductance Ranges** 1.00 ~ 10000  $\mu$ H

### Product Identification

CA555-1608-XXX-Y-ZZ

- XXX – Inductance reference
- Y – Tolerance code
- ZZ – packing code



### Packing and Tolerance

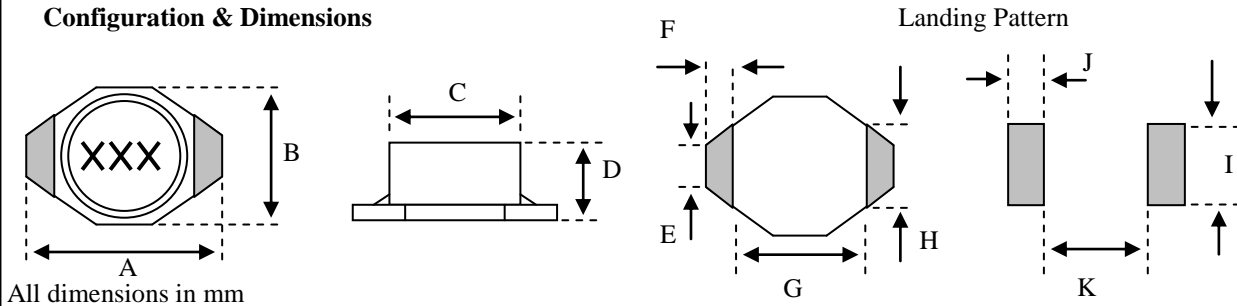
Packing Code		Tolerance – standard is ‘M’			
00	36	K	L	M	N
Single	Reel	10%	15%	20%	30%

### Inductance Reference and Electrical Characteristics

Inductance Reference	Inductance $\mu$ H	Q (min)	Test f (kHz)	DCR - $\Omega$ (max)	Current (max)
1R0	1.00	30	100	0.040	3.00
1R5	1.50	30	100	0.045	2.80
2R2	2.20	40	100	0.050	1.80
3R3	3.30	40	100	0.055	1.60
4R7	4.70	40	100	0.060	1.40
6R8	6.80	40	100	0.065	1.20
100	10.00	40	100	0.075	1.00
150	15.00	40	100	0.090	0.80
220	22.00	40	100	0.110	0.70
330	33.00	40	100	0.190	0.60
470	47.00	40	100	0.230	0.50
680	68.00	40	100	0.290	0.40
101	100.00	40	100	0.480	0.30
151	150.00	40	100	0.590	0.26
221	220.00	40	100	0.770	0.22
331	330.00	40	100	1.400	0.20
471	470.00	40	100	1.800	0.19
681	680.00	40	100	2.200	0.18
102	1000.00	40	100	3.400	0.15
152	1500.00	50	100	4.200	0.12
222	2200.00	50	100	8.500	0.10
332	3300.00	50	100	11.000	0.08
472	4700.00	50	100	13.900	0.06
682	6800.00	50	100	25.000	0.04
103	10000.00	50	100	32.800	0.02

## Technical Data Sheet

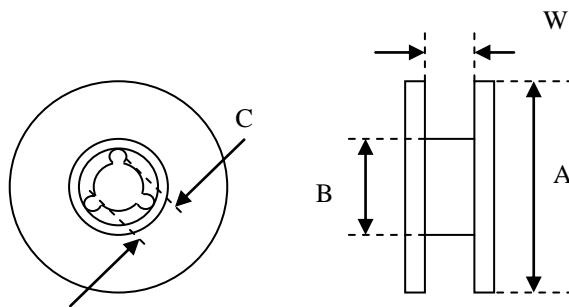
### Configuration & Dimensions



All dimensions in mm

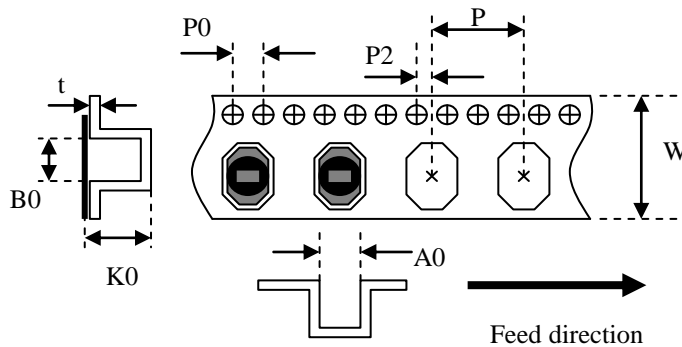
Type	A (max)	B (max)	C ± 0.3	D ± 0.3	E ± 0.3	F ± 0.3	G ± 0.3	H ± 0.3	I	J	K
1608	6.60	4.45	4.00	2.92	1.27	1.02	4.32	2.50	3.56	1.40	4.06

### Reel Dimensions



Part No.	Dimensions of Reel				Pieces per Reel	
Series	A	B	C	W	178mmØ	330mmØ
1608	178/330	62/100± 0.1	13.0±0.5	16.3	750	2500

### Embossed Plastic Carrier Tape Dimension



A0	4.25 ± 0.10
B0	6.50 ± 0.10
K0	3.00 ± 0.10
P	8.00 ± 0.10
P0	4.00 ± 0.10
P2	2.00 ± 0.10
W	16.00 ± 0.30
t	0.35

Test frequency	-	100kHz @ 0.1V
Current (max)	-	30 °C temperature rise
Operating temperature	-	- 40 °C ~ +85 °C