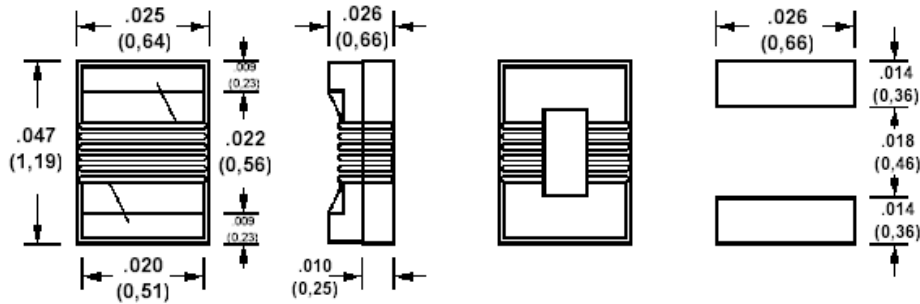
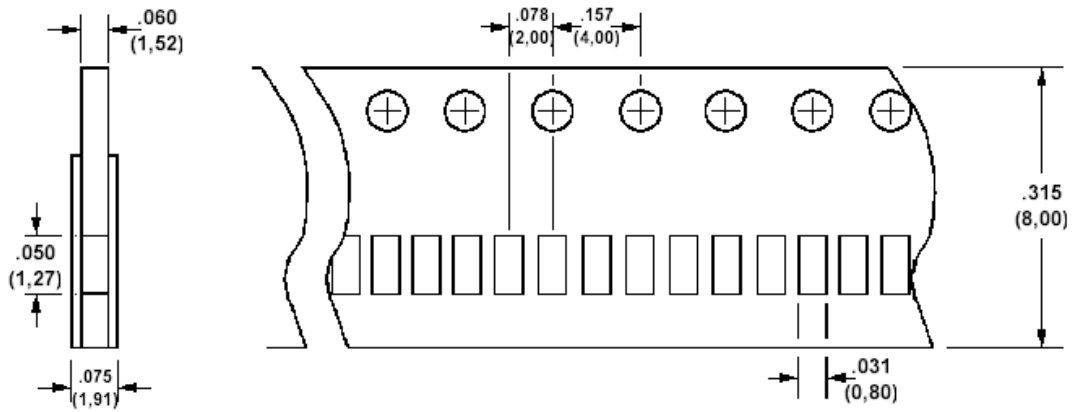


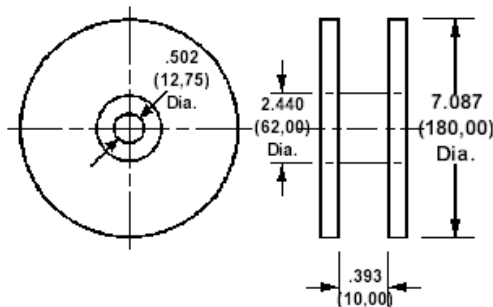
555-0402 Chip inductors, wire wound, surface mount, 0402 package, 1.0nH thru 47nH



TAPE DIMENSIONS



REEL DIMENSIONS



How to order code

555-0402-XXX-Y-ZZ

Basic Part No XXX = Inductance identifier, Y = tolerance, ZZ = packaging

Basic Part Number (XXX)	L (nH)	Q (min)	Freq (MHz)	900 MHz Typ.		1.7 GHz Typ.		SRF (min) (MHz)	RDC (max) (Ω)	IDC (max) (mA)	
				L	Q	L	Q				
555-0402	-1N0	1.0	16	250	1.02	77	1.02	69	>6000	0.045	1360
	-2N0	2.0	16	250	1.93	54	1.93	75	>6000	0.070	1040
	-2N2	2.2	16	250	2.19	59	2.23	100	>6000	0.070	960
	-3N3	3.3	19	250	3.10	65	3.12	87	6000	0.066	840
	-3N6	3.6	19	250	3.56	45	3.62	71	6000	0.066	840
	-3N9	3.9	19	250	3.89	50	4.00	75	5800	0.066	840
	-5N1	5.1	20	250	5.15	56	5.25	82	5800	0.083	800
	-5N6	5.6	20	250	5.16	54	5.28	81	5800	0.083	760
	-6N2	6.2	20	250	6.16	52	6.37	76	5800	0.083	760
	-7N5	7.5	22	250	7.91	60	8.22	88	5800	0.104	680
	-8N2	8.2	22	250	8.50	57	8.85	84	4400	0.104	680
	-9N0	9.0	22	250	9.07	62	9.53	78	4160	0.104	680
	-10N	10	21	250	9.80	50	10.1	67	3900	0.195	480
	-11N	11	24	250	10.7	52	11.2	78	3680	0.120	640
	-12N	12	24	250	11.9	53	12.7	71	3600	0.120	640
	-15N	15	24	250	14.6	55	15.5	77	3280	0.172	560
	-19N	19	24	250	19.1	50	21.1	67	3040	0.202	480
	-23N	23	24	250	23.8	49	26.9	64	2720	0.214	400
-27N	27	24	250	28.7	49	33.5	63	2480	0.298	400	
-36N	36	24	250	39.5	44	48.4	53	2320	0.403	320	
-40N	40	24	250	39.0	44	47.4	33	2240	0.438	320	
-47N	47	20	250	50.0	38	-	-	2100	0.830	150	

TOLERANCE (Y)		
Tolerance Code (Y)	Inductance Tolerance	Notes
G	± 2%	Made to order
J	± 5%	
K	± 10%	Standard
M	± 20%	Made to order

PACKAGING (ZZ)	
-00	Loose Piece
-36	Taped and Reeled

MATERIAL SPECIFICATIONS	
Base Material	Ceramic
Metallised pad	Super adhesion Molybdenum/Manganese with Gold over plating
Operating Temperature	-55°C to 125°C
Storage Temperature	-55°C to 100°C