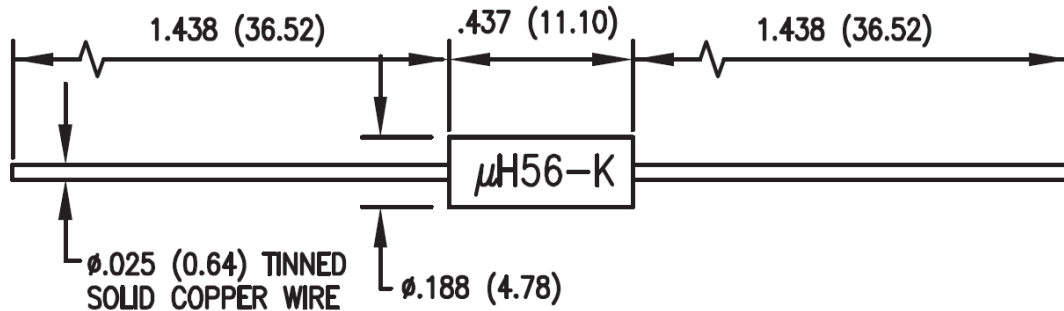


550-2960 R F Choke, moulded, axial, .15µH thru 27.0µH

Manufactured in accordance with (but not released to) BS9751 N0001 Pattern E



How to order code 550-2960-XX-YY-ZZ

Basic Part No XX = Inductance identifier, YY = tolerance, ZZ = packaging

Basic Part No.	XX	Inductance	Body Marking Inductance & Tolerance	Q Min	Test Freq. (MHz)	DCR Max. (Ω)	DC Max. (mA)	SRF Min. (MHz)
550-2960	-21	µH15	µH15-K	55	25.0	.030	2530	460
	-22	µH22	µH22-K	50	25.0	.035	2340	375
	-23	µH33	µH33-K	50	25.0	.065	1720	315
	-24	µH47	µH47-K	50	25.0	.085	1500	270
	-25	µH56	µH56-K	50	25.0	.125	1240	240
	-26	µH68	µH68-K	45	25.0	.150	1130	225
	-27	µH82	µH82-K	40	25.0	.205	970	190
	-28	1µH0	1µH0-K	40	25.0	.290	815	180
	-29	1µH2	1µH2-K	30	7.9	.400	695	162
	-30	1µH5	1µH5-K	30	7.9	.485	630	153
	-31	1µH8	1µH8-K	30	7.9	.740	510	135
	-32	2µH2	2µH2-K	30	7.9	.970	445	126
	-33	2µH7	2µH7-K	30	7.9	1.20	400	108
	-34	3µH3	3µH3-K	30	7.9	.140	1170	63
	-35	3µH9	3µH9-K	30	7.9	.155	1110	58
	-36	4µH7	4µH7-K	30	7.9	.210	960	54
	-37	5µH6	5µH6-K	30	7.9	.280	830	45
	-38	6µH8	6µH8-K	30	7.9	.375	715	45
	-39	8µH2	8µH2-K	30	7.9	.440	660	43
	-40	10µH	10µH-K	30	7.9	.605	565	38
	-41	12µH	12µH-K	50	2.5	1.05	430	32
-42	15µH	15µH-K	55	2.5	1.20	400	27	
-43	18µH	18µH-K	60	2.5	1.95	315	27	
-44	22µH	22µH-K	60	2.5	2.20	295	22	
-45	27µH	27µH-K	65	2.5	2.75	265	20	

TOLERANCE (YY)		
-01	±5%	J
-02	±10%	K
-03	±20%	M

-02 - Standard, others made to order

PACKAGING (ZZ)	
-00	Loose
-36	Taped

Temperature range: -55°C to +100°C