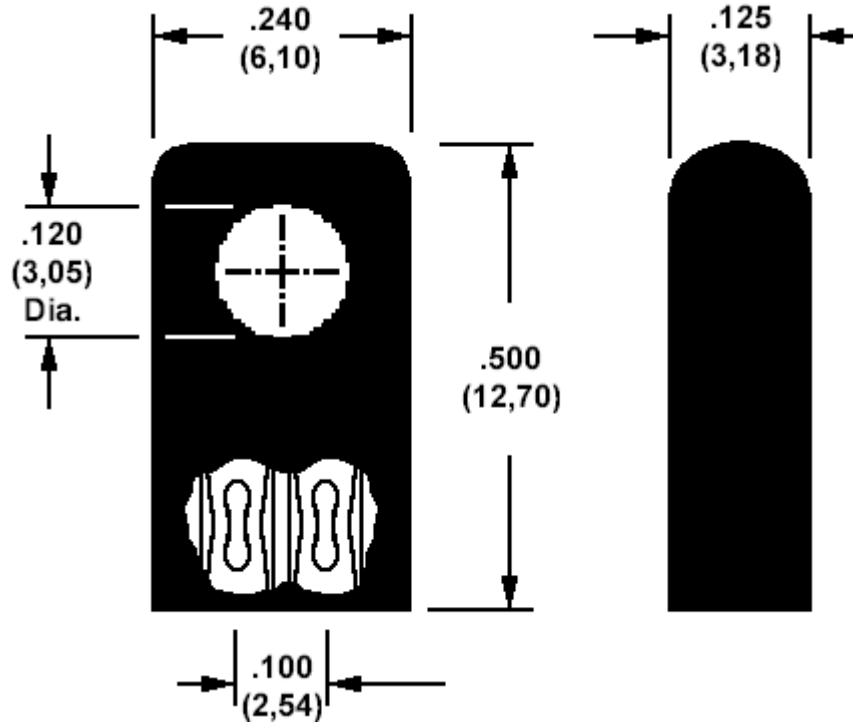


450-4775 Shorting Socket, Insulated, for .040 (1,02) Diameter Pins



Min hole depth .190 (4,83)

How to order code
450-4775-01-06-XX
 Basic Part No XX = Colour

Component	Material	Finish (-06)
Body	Copper	Electro Tin
Spring	Beryllium copper	Gold over Nickel
Insulator	Polypropylene	Select colour (see below)

COLOUR (XX)		
-10	-12	-16
Black	Red	Blue