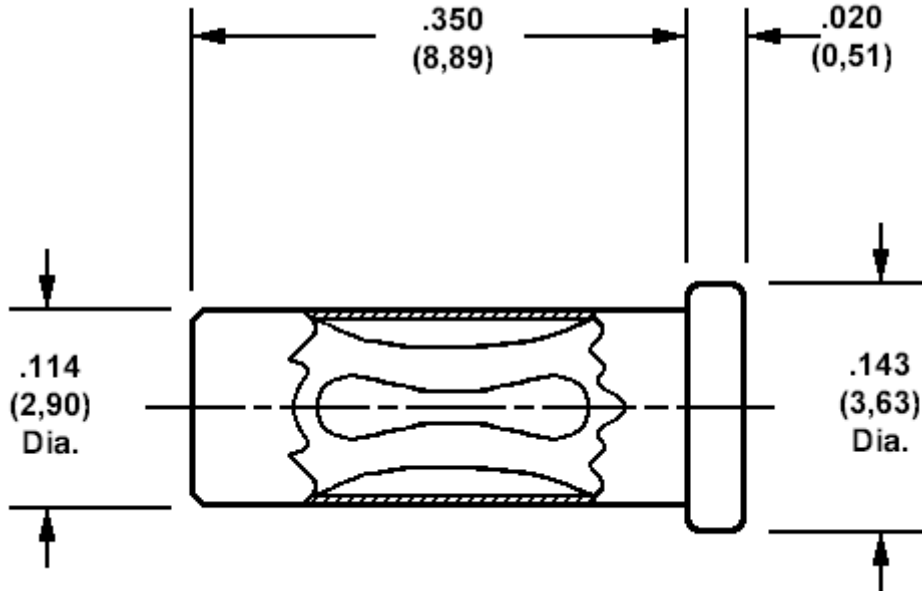


450-3708 Solder Mount Socket, for .080 (2,03) Diameter Pins

Recommended mounting hole .116 (2,95) +.004 (0,10) - .000 (0,00), #32 drill



Min hole depth .360 (9,14)

How to order code
450-3708-01-XX-00
Basic Part No XX = Finish

MATERIALS				
Component	Material	Finish (-03)	Finish (-04)	Finish (-06)
Body	Copper	Gold over Nickel	Electro Tin	Electro Tin
Spring	Beryllium copper	Gold over Nickel	Electro Tin	Gold over Nickel