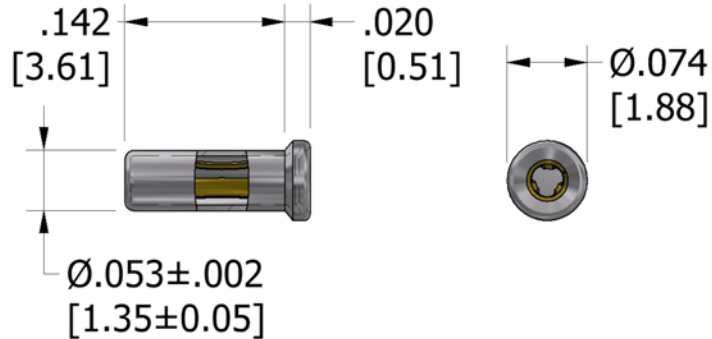


**450-3703 Solder Mount Socket, for .025 (0,64) Diameter Pins**

Recommended mounting hole .055 (1,40) ± .001 (0,03)



Min hole depth .141 [3.58]

**How to order code**  
**450-3703-01-XX-00**  
**Basic Part No XX = Finish**

MATERIALS				
Component	Material	Finish (-03)	Finish (-04)	Finish (-06)
Body	Copper	Gold over Nickel	Electro Tin	Electro Tin
Spring	Beryllium copper	Gold over Nickel	Electro Tin	Gold over Nickel



Dimensions in inches [mm]  
 Tolerance unless otherwise stated ±.005 [0.13]