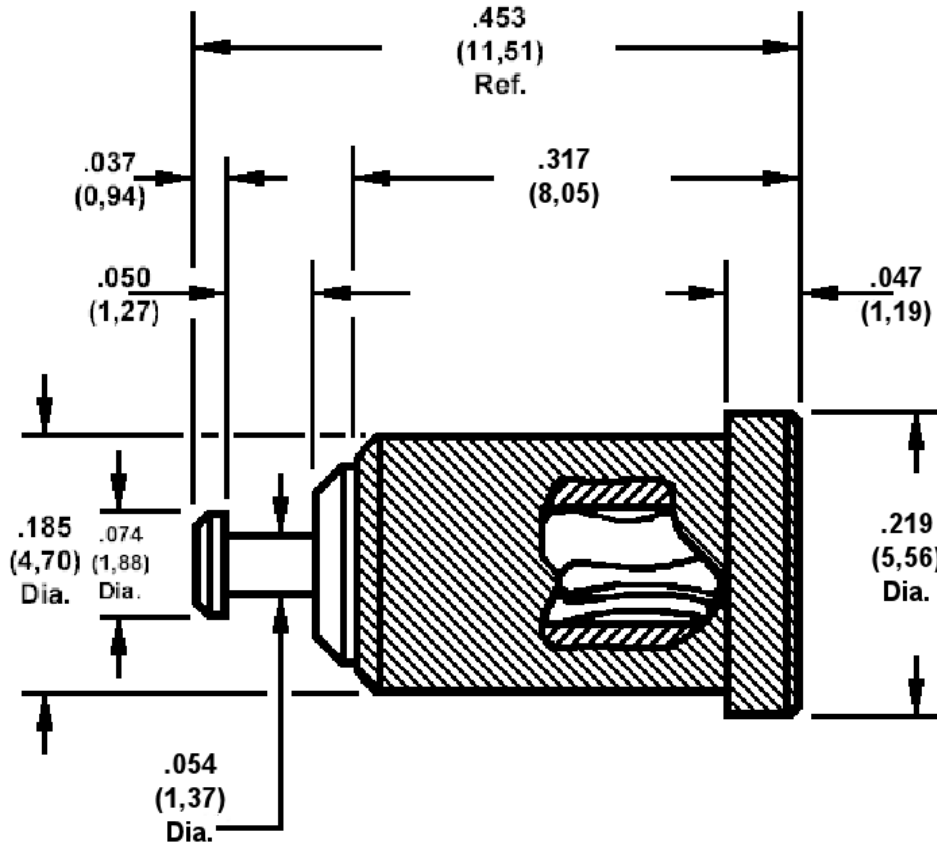


**450-3374 PTFE Insulated, Press Mount Socket,
 for .080 (2,03) Diameter Pins**

Recommended mounting hole .172 (4,37) ±.002 (0,05).



Min hole depth .340 (8,64)

How to order code
450-3374-01-03-XX
 Basic Part No XX = Colour

MATERIALS		
Component	Material	Finish (-03)
Body	Brass	Gold over Nickel
Spring	Beryllium copper	Gold over Nickel
Insulator	PTFE	See colours below

COLOURS (YY)			
-10	-12	-16	-19
Black	Red	Blue	White

Select colour (others available to order, consult factory)

ADDITIONAL INFORMATION			
Basic Part No	For Panel Thickness	Flashover at sea level (VRMS)	Operating VMRS at sea level
450-3374-01-03-XX	.031 (0,79) to .230 (5,84)	1800	800