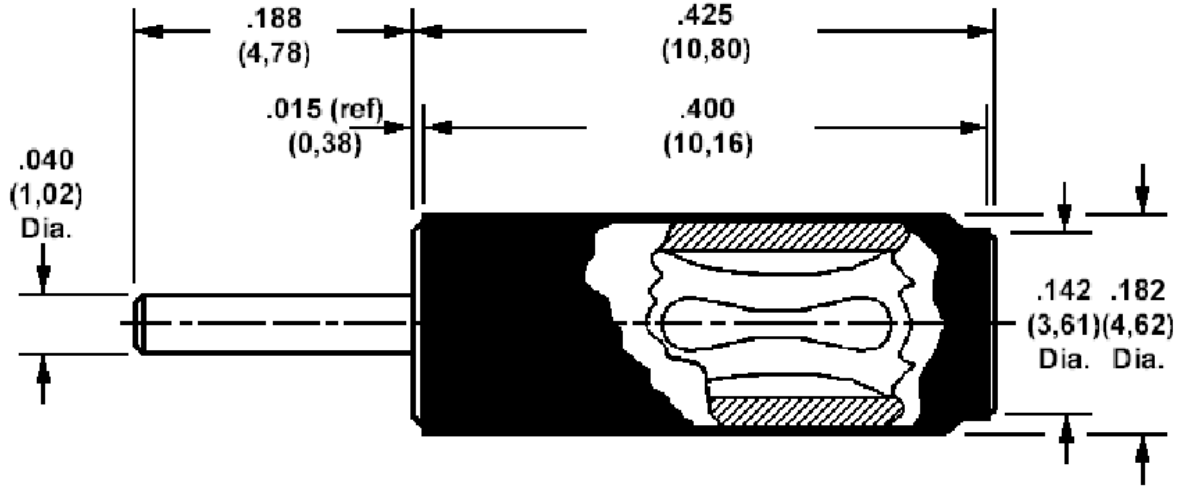


450-3279 Converter Socket, Insulated, .080 (2,03) socket to .040 (1,02) pin
 (Socket supplied without insulator, 450-3278)



Min hole depth .325 (8,26)

How to order code
450-3279-01-03-10

Component	Material	Finish (-03)
Body	Brass	Gold over Nickel
Spring	Beryllium copper	Gold over Nickel
Insulator	Polyolefin plastic (black)	