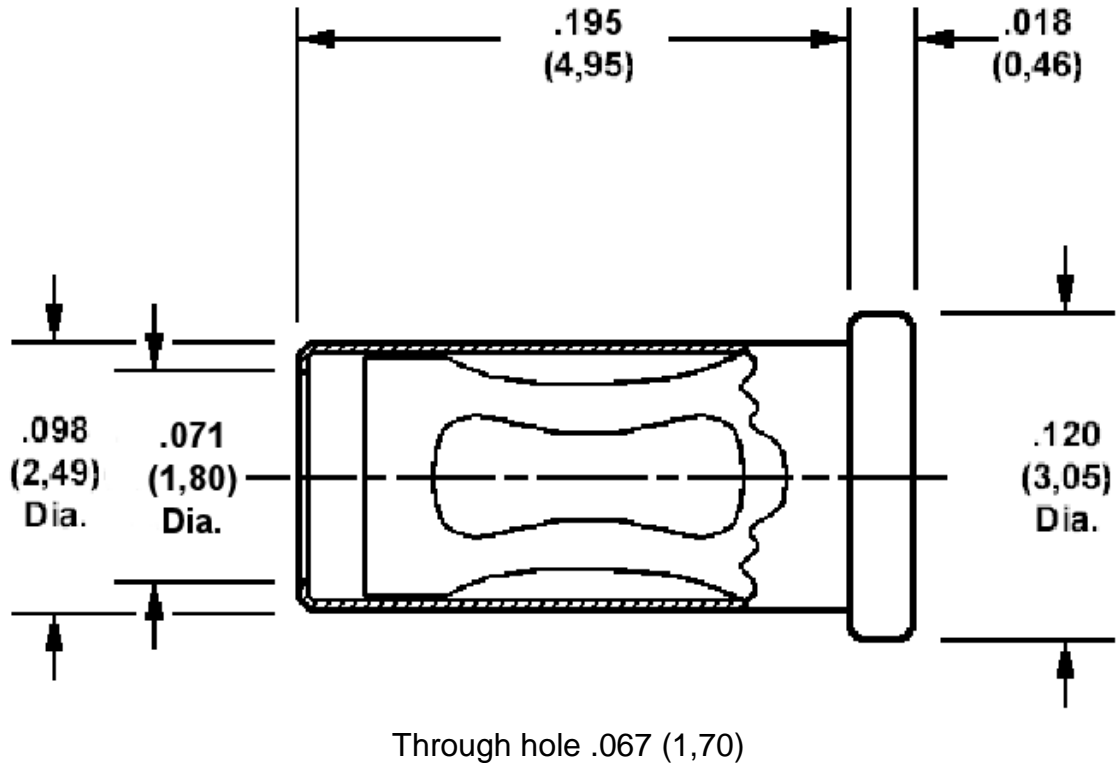


**450-1812 Solder Mount, Through Hole Socket,
 for .065 (1,65) Diameter Pins**
 Recommended mounting hole .102 (2,59) ± .002 (0,05), #38 drill



How to order code
450-1812-01-XX-00
 Basic Part No XX = Finish

MATERIALS				
Component	Material	Finish (-03)	Finish (-04)	Finish (-06)
Body	Brass	Gold over Nickel	Electro Tin	Electro Tin
Spring	Beryllium copper	Gold over Nickel	Electro Tin	Gold over Nickel