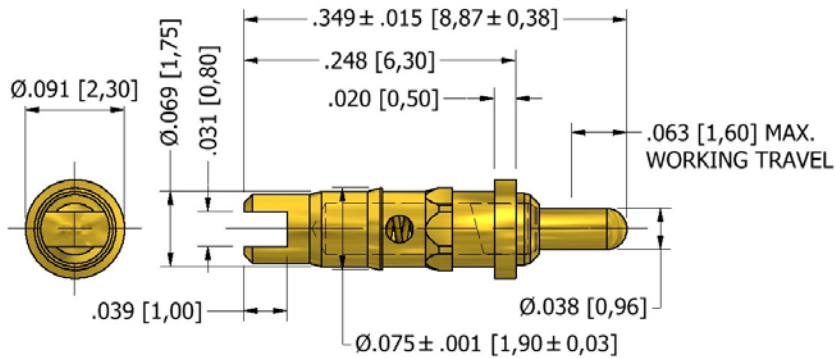


**410-8016 Spring Loaded Contact
 Solder Mount Press Fit - .071 (1,80) Mounting Hole**

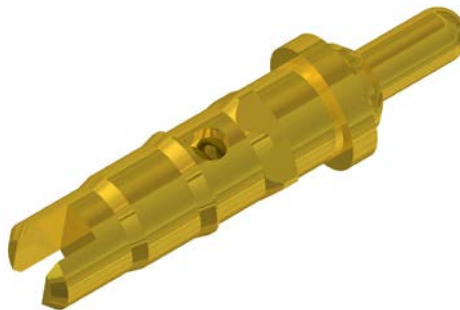


**How to order code
410-8016-01-03-00**

Materials:-

- Sleeve, Plunger: Copper Alloy
- Spring: Stainless Steel 302
- Plunger finish: .00003 (0.75um) Gold over Nickel
- Sleeve: .00001 (0.25um) Gold over Nickel
- Spring finish: .00001 (0.25um) Gold over Nickel

- Durability: 50,000 cycles
- Rated Current (Free Air): 3A continuous @ 10° DT
- Contact Resistance: 30mΩ Max.



RoHS Compliant