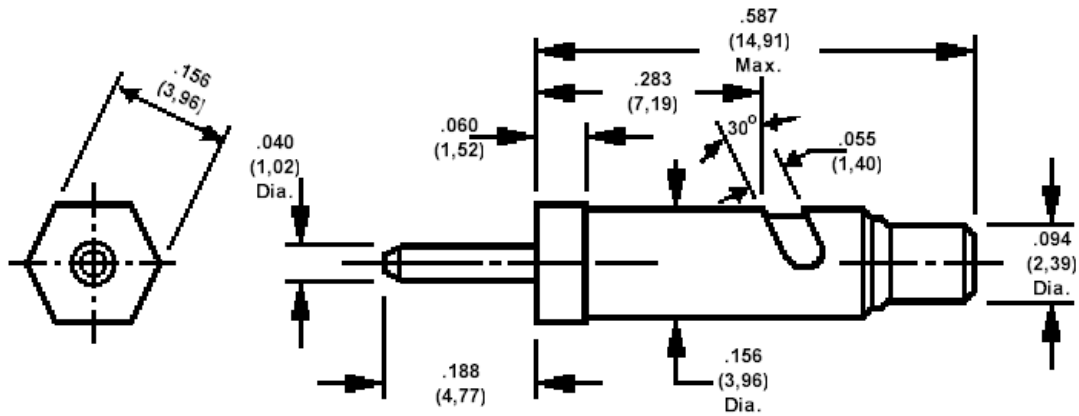


410-2212 Component Clip, .055 (1,40) Slot, Pin mount, to plug into 0.040 (1,02) socket

Recommended Lead Wire Sizes - #24 AWG (.020) (0,51) Min. Thru #17 AWG (.045) (1,14) Max.

How to order code**410-2212-01-02-00****Basic Part No.**

Component	Material	Finish
Housing	Brass	Nickel
Plunger	Brass	Nickel
Spring	Cres. Steel	Passivated