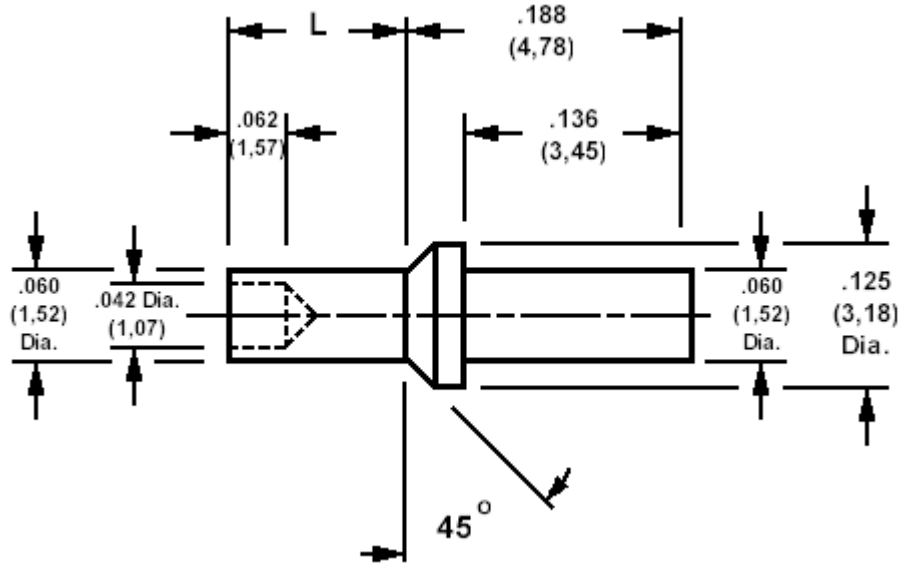


**180-2751 Solder Terminal, Pin Type**

Recommended mounting hole .064 (1,63), #52 drill



How to order code  
**180-2751-XX-YY-00**

Basic Part No XX = L dimension, YY = Plating Finish

DIMENSIONS (XX)			
Basic Part No	(XX)	L	Board Thickness
180-2751	-01	.062 (1,57)	.031 (0,79)
	-02	.094 (2,39)	.062 (1,57)
	-03	.125 (3,18)	.094 (2,39)
	-04	.156 (3,96)	.125 (3,18)

MATERIALS		
Component	Material	Finish (YY)
Terminal	Brass	-05 Electro Solder

SWAGE TOOLING	
Recommended Swaging Tools:-	
Anvil	435-6430-01-00-00
Flare Punch	435-6692-01-00-00