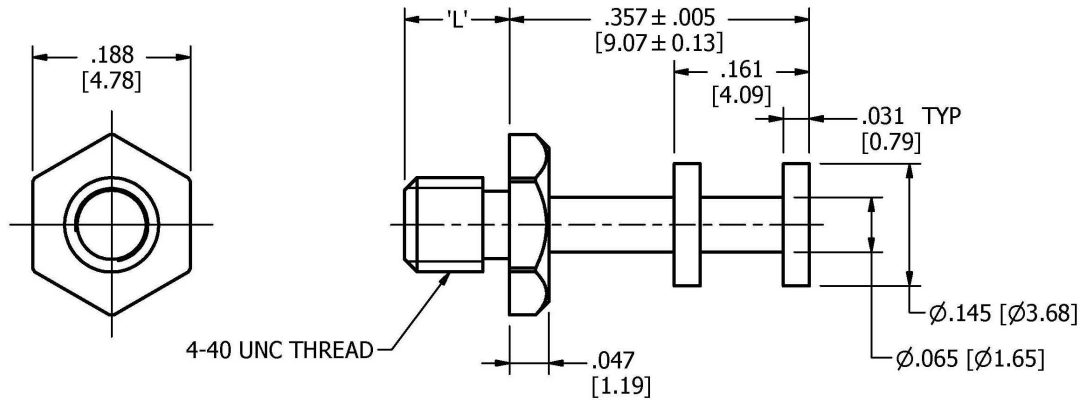


160-2051 Solder Terminal, Turreted 4-40 thread



How to order code
160-2051-XX-YY-00
 Basic Part No XX = L dimension, YY = Plating Finish

DIMENSIONS (XX)		
Basic Part No	(XX)	L
160-2051	-01	.125 (3,18)
	-02	.188 (4,78)

MATERIALS				
Component	Material	Finish (YY)		
		-01	-04	-05
Terminal	Brass	Silver	Electro Tin	Electro Solder

Dimensions in inches [mm]
 Tolerance unless otherwise stated ±.003 [0.08]