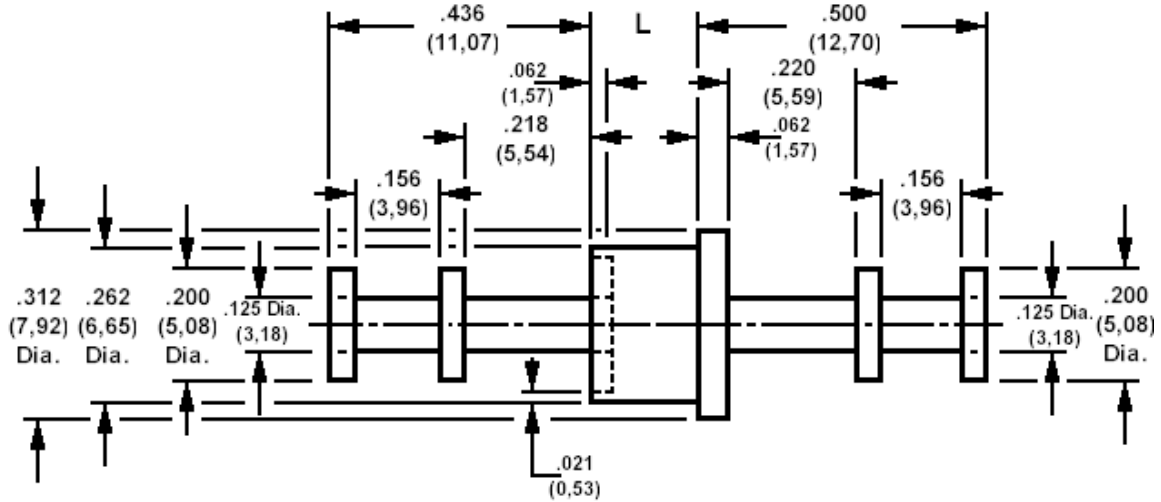


**160-1620 Solder Terminal, Turreted, Feed Thru**

Recommended mounting hole .266 (6,76), 17/64" drill



**How to order code**

**160-1620-XX-YY-00**

Basic Part No XX = L dimension, YY = Plating Finish

DIMENSIONS (XX)			
Basic Part No	(XX)	L	Board Thickness
160-1620	-02	.094 (2,39)	.062 (1,57)
	-03	.125 (3,18)	.094 (2,39)
	-04	.156 (3,96)	.125 (3,18)

MATERIALS			
Component	Material	Finish (YY)	
Terminal	Brass	-01	-05
		Silver	Electro Solder

SWAGE TOOLING	
Recommended Swaging Tools:-	
Anvil	435-6431-01-00-00
Roll punch	435-6669-01-00-00

This terminal is too long to terminate in Cambion press 435-3803-01-00-00