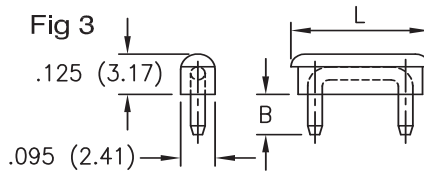
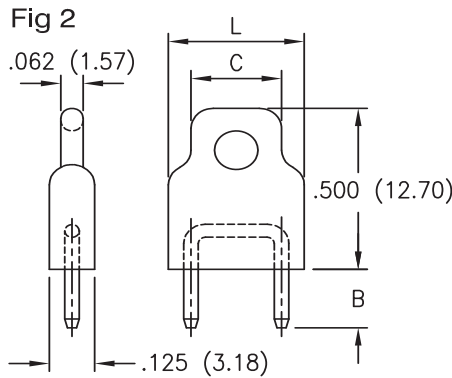
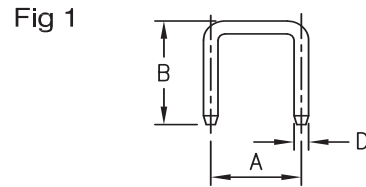


SHORTING LINKS - PLUG

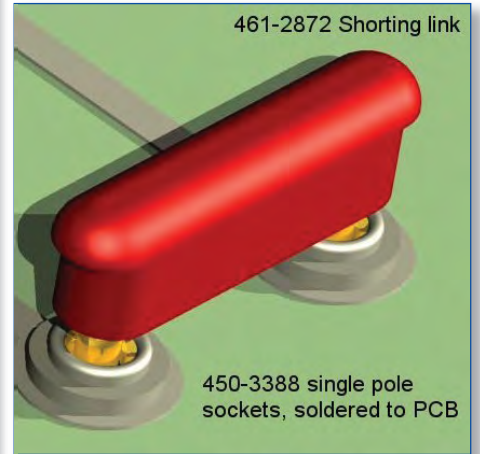
Dimensions in inches (mm)



How to order code

XXX - XXXX - XX - 03 - XX

Basic Part No. | Insulator Colour (where applicable) | Pin Finish



Typical application

Material Code Table		
Component	Material	RoHS
Pin	Brass	✓
Insulation	Polypropylene	✓

Finish Code Table		
Dash No.	Pin Finish	RoHS
-03	Gold over Nickel	✓

Insulation Colour Code Table	
Dash No.	Colour
-00	None
-10	Black
-12	Red
-16	Blue

Fig.	Basic Part No.	A	L	B	C	D
1	360-0004 -01	.200 (5.08)	-	.200 (5.08)	-	.025 (0.64)
	-02	.250 (6.35)	-	-	-	-
	-03	.300 (7.62)	-	-	-	-
	-04	.400 (10.16)	-	-	-	-
	-05	.500 (12.70)	-	-	-	-
	360-0017 -01	.200 (5.08)	-	.261 (6.63)	-	.040 (1.02)
	-02	.250 (6.35)	-	-	-	-
	-03	.300 (7.62)	-	-	-	-
	-04	.400 (10.16)	-	-	-	-
	-05	.500 (12.70)	-	-	-	-
2	461-2871 -01	.200 (5.08)	.375 (9.53)	.181 (4.60)	.250 (6.35)	.040 (1.02)
	-02	.250 (6.35)	-	-	-	-
	461-3771 -01	.400 (10.16)	.620 (15.75)	.181 (4.60)	.432 (10.97)	.040 (1.02)
	-02	.500 (12.70)	-	-	-	-
3	461-2251 -01	.200 (5.08)	.334 (8.48)	.125 (3.18)	-	.025 (0.64)
	-02	.250 (6.35)	.384 (9.75)	-	-	-
	-03	.300 (7.62)	.434 (11.02)	-	-	-
	-04	.400 (10.16)	.534 (13.56)	-	-	-
	-05	.500 (12.70)	.634 (16.10)	-	-	-
	461-2872 -01	.200 (5.08)	.334 (8.48)	.181 (4.60)	-	.040 (1.02)
	-02	.250 (6.35)	.384 (9.75)	-	-	-
	-03	.300 (7.62)	.434 (11.02)	-	-	-
	-04	.400 (10.16)	.534 (13.56)	-	-	-
	-05	.500 (12.70)	.634 (16.10)	-	-	-