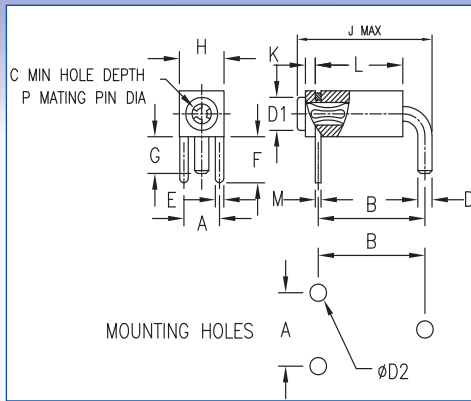
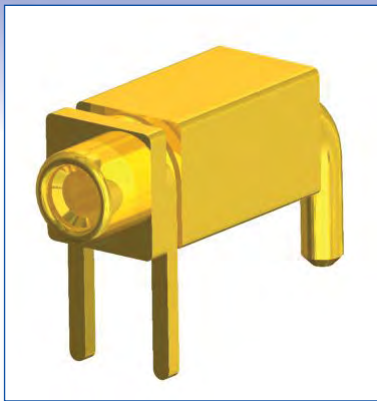


# SINGLE POLE SOCKETS - PCB MOUNT SOLDER



Dimensions in inches (mm)

How to order code

**450 - 3XXX - 01 - XX - 00**

Basic Part No. | Finish

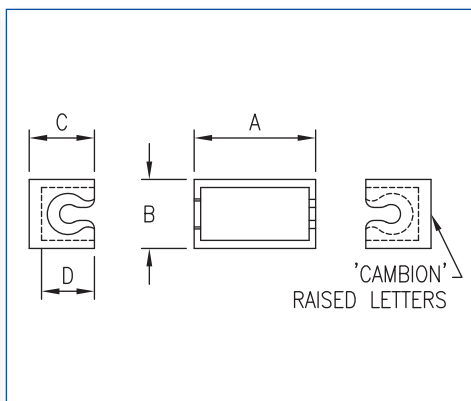
Material Code Table		
Component	Material	RoHS
Body	Brass	✓
Spring	Beryllium Copper (Heat Treated)	✓
Clip	Brass	✓

Finish Code Table				
Dash No.	Body Finish	Spring Finish	Clip	RoHS
-03	Gold over Nickel	Gold over Nickel	Gold over Nickel	✓
-04	Electro-Tin	Electro-Tin	Electro-Tin	✓
-06	Electro-Tin	Gold over Nickel	Electro-Tin	✓

Basic Part No.	P	A	B	C	D	D1	D2	E
450-3422 -01	.040 (1.02)	.100 (2.54)	.300 (7.62)	.211 (5.36)	.040 (1.02)	.092 (2.34)	.047 (1.19)	.024 (0.61)
450-3888 -01	.080 (2.03)	.200 (5.08)	.400 (10.16)	.325 (8.26)	.056 (1.42)	.142 (3.61)	.062 (1.57)	.046 (1.17)

Basic Part No.	F	G	H	J	K	L	M
450-3422 -01	.125 (3.18)	.100 (2.54)	.125 (3.18)	.416 (10.57)	.028 (0.71)	.229 (5.82)	.016 (0.41)
450-3888 -01	.218 (5.54)	.156 (3.96)	.188 (4.78)	.537 (13.64)	.038 (0.97)	.325 (8.26)	.020 (0.51)

# SNAP ON COLOUR CODE INSULATOR



Dimensions in inches (mm)

How to order code

**506 - 44XX - 01 - 00 - XX**

Basic Part No. | Colour

Material Code Table		
Component	Material	RoHS
Cover	Nylon	✓

Colour Code Table			
Dash No.	Colour	Dash No.	Colour
-10	Black	-15	Green
-11	Brown	-16	Blue
-12	Red	-17	Violet
-13	Orange	-18	Grey
-14	Yellow	-19	White

Basic Part No.	Used on Part	A	B	C	D
506-4422 -01	450-3422	.301 (7.65)	.172 (4.37)	.162 (4.11)	.131 (3.33)
506-4488 -01	450-3888	.415 (10.54)	.276 (7.01)	.268 (6.81)	.194 (4.93)